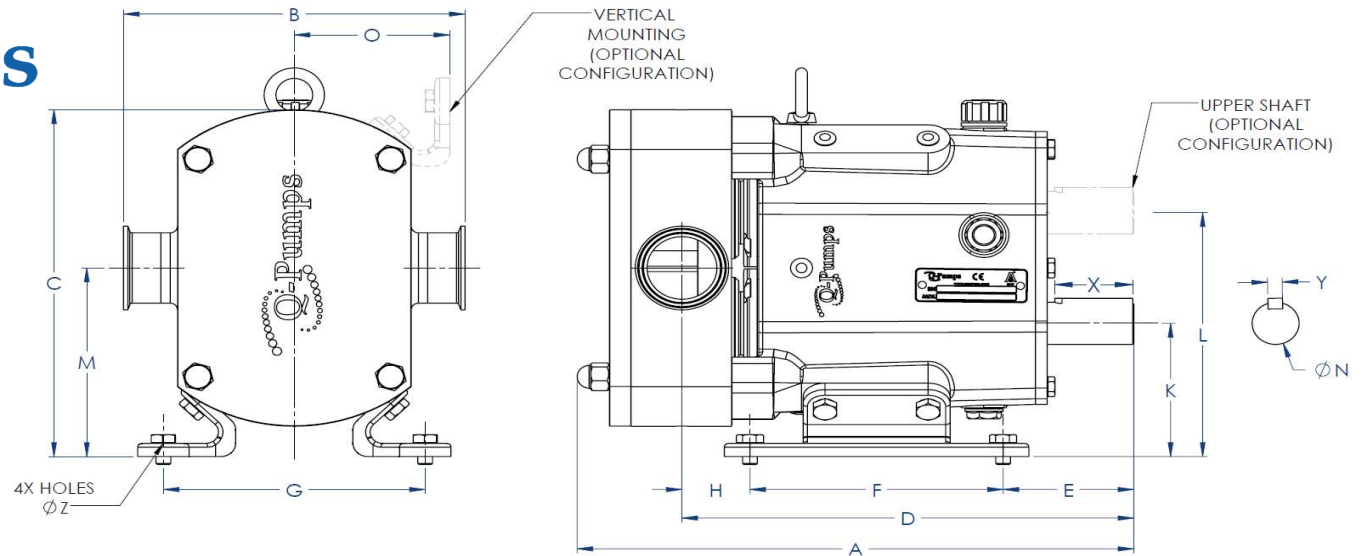




## QL Series Reference Dimensions



QL PUMPS MAIN DIMENSIONS (STANDARD CONFIGURATION)

PUMP MODEL	A		C		D		E		F		G		H		K		L		M		N		O		X		Y		Z	
	IN	mm	IN	mm	IN	mm	IN	mm	IN	mm	IN	mm	IN	mm	IN	mm	IN	mm	IN	mm	IN	mm	IN	mm	IN	mm	IN	mm	IN	mm
A10	10.46	265.7	7.91	201	8.63	219.2	3.15	80.0	3.94	100.0	5.28	134.1	1.54	39.0	3.03	77.0	5.54	141.0	4.29	109.0	0.91	22.0	3.18	80.7	1.34	34.0	0.31	8.0	0.31	8.0
A15	10.81	274.6	7.91	201	8.73	221.7	3.15	80.0	3.94	100.0	5.28	134.1	1.64	41.7	3.03	77.0	5.54	141.0	4.29	109.0	0.91	22.0	3.18	80.7	1.34	34.0	0.31	8.0	0.31	8.0
A20	11.46	291.1	7.91	201	9.02	229.1	3.15	80.0	3.94	100.0	5.28	134.1	1.95	49.6	3.0	77.0	5.54	141.0	4.29	109.0	0.91	22.0	3.18	80.7	1.34	34.0	0.31	8.0	0.31	8.0
B20	14.89	378.2	10.35	263	12.09	307.0	3.50	88.8	6.77	172.0	7.00	177.8	1.82	46.2	3.98	101.0	7.28	185.0	5.63	143.0	1.26	32.0	4.15	105.5	2.28	58.0	0.39	10.0	0.43	11.0
B25	15.88	403.2	10.35	263	12.39	314.6	3.50	88.8	6.77	172.0	7.00	177.8	2.12	53.8	3.98	101.0	7.28	185.0	5.63	143.0	1.26	32.0	4.15	105.5	2.28	58.0	0.39	10.0	0.43	11.0
C30	18.88	479.6	13.67	347	15.34	389.6	5.33	135.4	7.05	179.0	9.53	242.0	2.96	75.2	5.06	128.5	9.59	243.5	7.32	186.0	1.77	44.0	4.82	122.4	2.09	53.0	0.55	14.0	0.53	13.5
C40	19.87	504.6	13.67	347	15.84	402.3	5.33	135.4	7.05	179.0	9.53	242.0	3.46	87.9	5.06	128.5	9.59	243.5	7.32	186.0	1.77	44.0	4.82	122.4	2.09	53.0	0.55	14.0	0.53	13.5

DIMENSION "B" (PORTS DISTANCE) FOR AVAILABLE CONNECTIONS

PUMP MODEL	ESTÁNDAR PORT SIZE		TRI-CLAMP (M)		BSM (B1)		IDF (C)		DIN 11851 (D1)		FLANGED DIN 11864-2 (D2)		FLANGED ANSI 150 PSI (F)		SMS (J)		BEVEL SEAT (T)		WELDABLE (W)	
	IN	mm	IN	mm	IN	mm	IN	mm	IN	mm	IN	mm	IN	mm	IN	mm	IN	mm	IN	mm
A10	1.00	25.4	7.56	192.0	7.56	192.0	7.56	192.0	8.35	212.0	8.35	212.0	8.35	212.0	7.56	192.0	8.03	204.0	5.70	144.8
A15	1.50	38.1	7.56	192.0	7.95	202.0	7.95	202.0	8.35	212.0	8.35	212.0	8.35	212.0	7.56	192.0	8.03	204.0	5.70	144.8
A20	2.00	50.8	7.56	196.0	8.03	204.0	8.03	204.0	8.35	212.0	8.35	212.0	8.35	212.0	7.72	196.0	8.03	204.0	5.56	141.2
B20	2.00	50.8	9.13	232.0	9.61	244.0	9.61	244.0	9.76	248.0	9.76	248.0	9.76	248.0	9.13	232.0	9.45	240.0	7.13	181.2
B25	2.50	63.5	9.45	240.0	9.61	244.0	9.61	244.0	10.31	262.0	10.31	262.0	10.16	258.0	9.45	240.0	9.45	240.0	7.13	181.2
C30	3.00	76.2	11.73	298.0	11.73	298.0	11.73	298.0	12.83	326.0	12.83	326.0	12.68	322.0	11.73	298.0	11.57	294.0	9.73	247.2
C40	4.00	101.6	11.73	298.0	11.73	298.0	11.73	298.0	13.07	332.0	13.07	332.0	13.78	350.0	12.28	312.0	11.57	294.0	9.33	237.0

WEIGHT	
lbs	kg
43.0	19.5
44.5	20.2
48.8	22.1
105.5	47.8
115.8	52.5
207.7	94.2
228.0	103.4

subject to change without notice  
Rev.B